

PL 63

PRESTAZIONI

PERFORMANCES

LEISTUNG

MPL 63

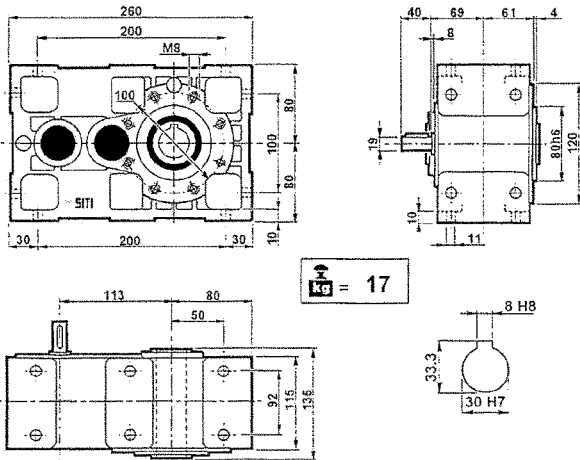
	n ₁	i	n ₂	M ₂ (Nm)	kW ₁	HP ₁	RD
2800	10.60	264	180	5.2	7.1	0.96	
	13.65	205	180	4.0	5.5	0.96	
	15.01	187	180	3.7	5.0	0.96	
	17.97	156	216	3.7	5.0	0.96	
	18.71	150	153	2.5	3.4	0.96	
	23.12	121	207	2.7	3.7	0.96	
	25.42	110	207	2.5	3.4	0.96	
	31.69	88	162	1.6	2.1	0.96	
1400	10.60	132	200	2.9	3.9	0.96	
	13.65	103	200	2.2	3.0	0.96	
	15.01	93	200	2.0	2.8	0.96	
	17.97	78	240	2.0	2.8	0.96	
	18.71	75	170	1.4	1.9	0.96	
	23.12	61	230	1.5	2.1	0.96	
	25.42	55	230	1.4	1.9	0.96	
	31.69	44	180	0.9	1.2	0.96	
900	10.60	85	220	2.0	2.8	0.96	
	13.65	66	220	1.6	2.2	0.96	
	15.01	60	220	1.4	2.0	0.96	
	17.97	50	264	1.4	2.0	0.96	
	18.71	48	187	1.0	1.3	0.96	
	23.12	39	253	1.1	1.5	0.96	
	25.42	35	253	1.0	1.3	0.96	
	31.69	28	198	0.6	0.8	0.96	

	n ₁	i	n ₂	M ₂ (Nm)	kW ₁	HP ₁	RD	fs	P.A.M.
2800	10.60	264	76	2.2	3	0.96	2.36		24/200 - 19/200
	13.65	205	98	2.2	3	0.96	1.83		24/200 - 19/200
	15.01	187	108	2.2	3	0.96	1.66		24/200 - 19/200
	17.97	156	129	2.2	3	0.96	1.67		24/200 - 19/200
	18.71	150	135	2.2	3	0.96	1.14		24/200 - 19/200
	23.12	121	167	2.2	3	0.96	1.24		24/200 - 19/200
	25.42	110	125	1.5	2	0.96	1.66		24/200 - 19/200
	31.69	88	156	1.5	2	0.96	1.04		24/200 - 19/200
1400	10.60	132	125	1.8	2.5	0.96	1.60		24/200 - 19/200
	13.65	103	161	1.8	2.5	0.96	1.24		24/200 - 19/200
	15.01	93	177	1.8	2.5	0.96	1.13		24/200 - 19/200
	17.97	78	212	1.8	2.5	0.96	1.13		24/200 - 19/200
	18.71	75	184	1.5	2	0.96	0.92		24/200 - 19/200
	23.12	61	227	1.5	2	0.96	1.01		24/200 - 19/200
	25.42	55	183	1.1	1.5	0.96	1.26		24/200 - 19/200
	31.69	44	156	0.75	1	0.96	1.16		24/200 - 19/200
900	10.60	85	119	1.1	1.5	0.96	1.85		24/200 - 19/200
	13.65	66	153	1.1	1.5	0.96	1.44		24/200 - 19/200
	15.01	60	168	1.1	1.5	0.96	1.31		24/200 - 19/200
	17.97	50	201	1.1	1.5	0.96	1.31		24/200 - 19/200
	18.71	48	210	1.1	1.5	0.96	0.89		24/200 - 19/200
	23.12	39	259	1.1	1.5	0.96	0.98		24/200 - 19/200
	25.42	35	194	0.75	1	0.96	1.30		24/200 - 19/200
	31.69	28	178	0.55	0.75	0.96	1.12		24/200 - 19/200

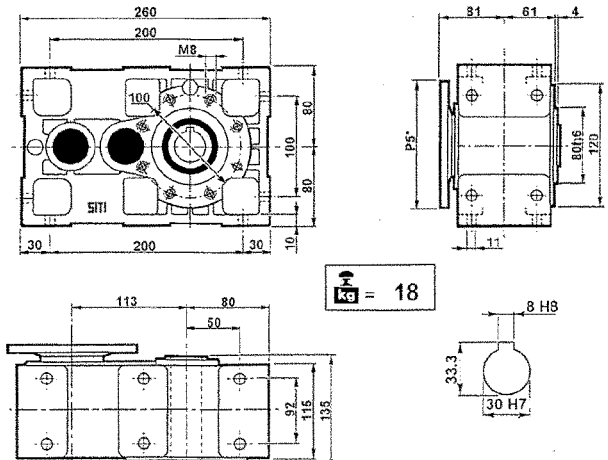
DIMENSIONI D'INGOMBRO

OVERALL DIMENSIONS

ALLGEMEINE ABMESSUNGEN



PL 63



MPL 63

P₅* : Vedere i PAM per ogni singola versione
P₅* : See PAM size for each single version
P₅* : Siehe PAM Grösse für jede Ausführung

CARICHI RADIALI (N)

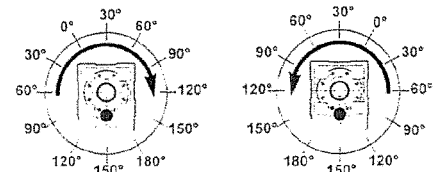
OVERHUNG LOADS (N)

RADIALE BELASTUNGEN (N)

ALBERO VELOCE / INPUT SHAFT / EINGANGSWELLE							
1400 min ⁻¹	PL 63 650						
	PL 63/3 400						
ALBERO LENTO / OUTPUT SHAFT / ABTRIEBSWELLE							
PL 63 - PL 63/3							
min ⁻¹	0°	30°	60°	90°	120°	150°	180°
20	9205	9517	10327	11572	13002	14121	14562
40	6961	7276	8022	9267	10700	11880	12320
60	5911	6159	6907	8150	9582	10762	11259
80	5164	5413	6159	7404	8836	10079	10514
100	4666	4916	5598	6838	8271	9500	10016
120	4291	4480	5225	6409	7902	9145	9643
140	3982	4156	4848	5946	7332	8486	8948
160	3732	3896	4544	5574	6872	7954	8386

Rotazione oraria
Clockwise
rotation
Uhrzeigersinn

Rotazione antioraria
Anticlockwise
rotation
Gegenuhrzeigersinn



PL 63/3

PRESTAZIONI

PERFORMANCES

LEISTUNG

MPL 63/3

n ₁	i	n ₂	M ₂ (Nm)	kW ₁	HP ₁	RD
2800	29.25	96	252	2.7	3.7	0.92
	37.68	74	270	2.3	3.1	0.92
	41.43	68	252	1.9	2.6	0.92
	47.53	59	180	1.2	1.6	0.92
	51.66	54	198	1.2	1.7	0.92
	58.72	48	270	1.5	2.0	0.92
	64.55	43	252	1.2	1.7	0.92
	67.37	42	198	0.9	1.3	0.92
	80.5	35	198	0.8	1.1	0.92
	83.22	34	270	1.0	1.4	0.92
	91.49	31	252	0.9	1.2	0.92
114.09	25	198	0.6	0.8	0.92	

n ₁	i	n ₂	M ₂ (Nm)	kW ₁	HP ₁	RD	fs	P.A.M.
2800	29.25	96	138	1.5	2	0.92	1.83	19/200 - 14/160
	37.68	74	177	1.5	2	0.92	1.52	19/200 - 14/160
	41.43	68	195	1.5	2	0.92	1.29	19/200 - 14/160
	47.53	59	112	0.75	1	0.92	1.61	14/160
	51.66	54	178	1.1	1.5	0.92	1.11	19/200 - 14/160
	58.72	48	138	0.75	1	0.92	1.95	14/160
	64.55	43	152	0.75	1	0.92	1.66	14/160
	67.37	42	53	0.25	0.34	0.92	3.75	11/140
	80.5	35	189	0.75	1	0.92	1.05	14/160
	83.22	34	65	0.25	0.34	0.92	4.14	11/140
	91.49	31	72	0.25	0.34	0.92	3.51	11/140
114.09	25	89	0.25	0.34	0.92	2.21	11/140	

1400	29.25	48	280	1.5	2.1	0.92
	37.68	37	300	1.3	1.7	0.92
	41.43	34	280	1.1	1.5	0.92
	47.53	29	200	0.7	0.9	0.92
	51.66	27	220	0.7	0.9	0.92
	58.72	24	300	0.8	1.1	0.92
	64.55	22	280	0.7	0.9	0.92
	67.37	21	220	0.5	0.7	0.92
	80.5	17	220	0.4	0.6	0.92
	83.22	17	300	0.6	0.8	0.92
	91.49	15	280	0.5	0.7	0.92
114.09	12	220	0.3	0.4	0.92	

1400	29.25	48	138	0.75	1	0.92	2.03	19/200 - 14/160
	37.68	37	177	0.75	1	0.92	1.69	19/200 - 14/160
	41.43	34	195	0.75	1	0.92	1.44	19/200 - 14/160
	47.53	29	110	0.37	0.5	0.92	1.81	14/160
	51.66	27	243	0.75	1	0.92	0.90	19/200 - 14/160
	58.72	24	136	0.37	0.5	0.92	2.20	14/160
	64.55	22	150	0.37	0.5	0.92	1.87	14/160
	67.37	21	76	0.18	0.25	0.92	2.89	11/140
	80.5	17	187	0.37	0.50	0.92	1.18	14/160
	83.22	17	94	0.18	0.25	0.92	3.19	11/140
	91.49	15	103	0.18	0.25	0.92	2.71	11/140
114.09	12	129	0.18	0.25	0.92	1.71	11/140	

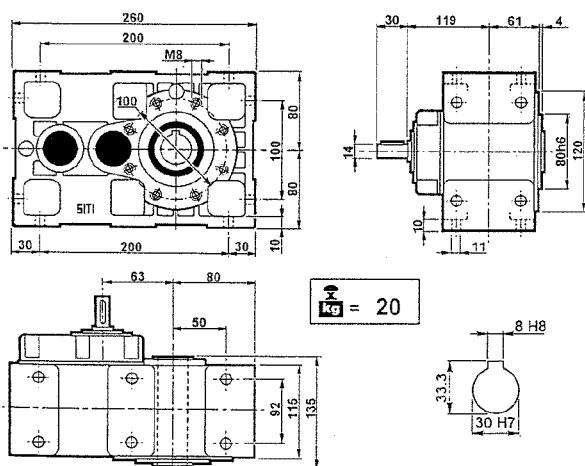
900	29.25	31	308	1.1	1.5	0.92
	37.68	24	330	0.9	1.2	0.92
	41.43	22	308	0.8	1.0	0.92
	47.53	19	220	0.5	0.6	0.92
	51.66	17	242	0.5	0.7	0.92
	58.72	15	330	0.6	0.8	0.92
	64.55	14	308	0.5	0.7	0.92
	67.37	13	242	0.4	0.5	0.92
	80.5	11	242	0.3	0.4	0.92
	83.22	11	330	0.4	0.6	0.92
	91.49	10	308	0.3	0.5	0.92
114.09	8	242	0.2	0.3	0.92	

900	29.25	31	157	0.55	0.75	0.92	1.96	19/200 - 14/160
	37.68	24	202	0.55	0.75	0.92	1.63	19/200 - 14/160
	41.43	22	222	0.55	0.75	0.92	1.38	19/200 - 14/160
	47.53	19	216	0.25	0.34	0.92	1.90	14/160
	51.66	17	277	0.55	0.75	0.92	0.87	19/200 - 14/160
	58.72	15	143	0.25	0.34	0.92	2.30	14/160
	64.55	14	158	0.25	0.34	0.92	1.96	14/160
	67.37	13	79	0.12	0.16	0.92	3.07	11/140
	80.5	11	196	0.25	0.34	0.92	1.23	14/160
	83.22	11	97	0.12	0.16	0.92	3.8	11/140
	91.49	10	107	0.12	0.16	0.92	2.87	11/140
114.09	8	134	0.12	0.16	0.92	1.81	11/140	

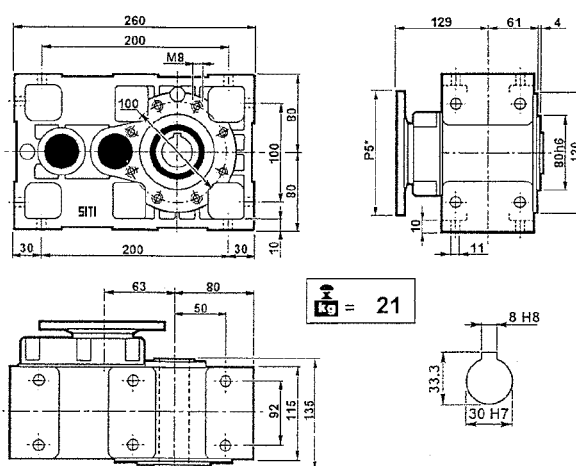
DIMENSIONI D'INGOMBRO

OVERALL DIMENSIONS

ALLGEMEINE ABMESSUNGEN



PL 63 /3



MPL 63 /3

P₅* : Vedere i PAM per ogni singola versione
P₅* : See PAM size for each single version
P₅* : Siehe PAM Grösse für jede Ausführung