

PL 100

PRESTAZIONI

PERFORMANCES

LEISTUNG

MPL 100

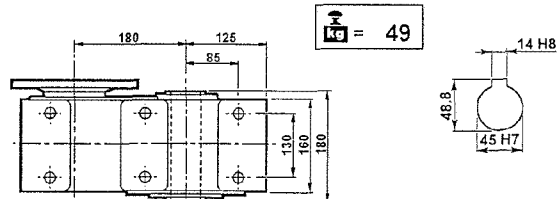
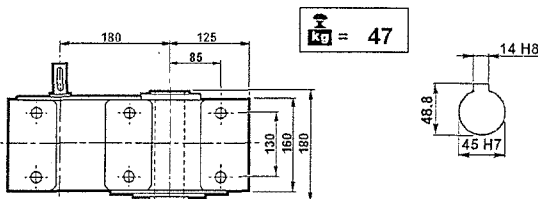
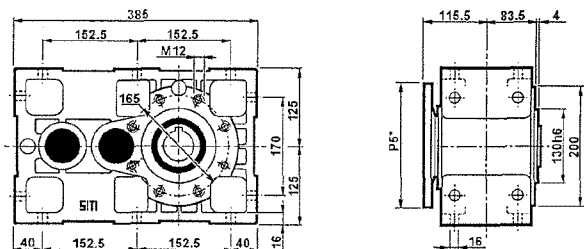
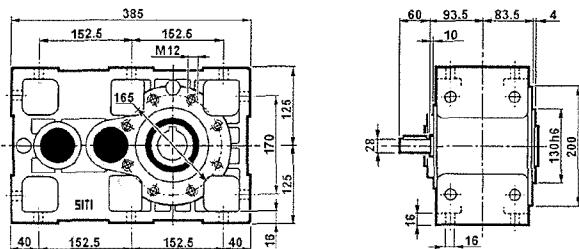
	n_1	i	n_2	M_2 (Nm)	kW_1	HP_1	RD
2800	9.98	281	720	22.0	30.0	0.96	
	12.89	217	720	17.1	23.2	0.96	
	15.47	181	855	16.9	23.0	0.96	
	15.72	178	720	14.0	19.0	0.96	
	19.98	140	810	12.4	16.8	0.96	
	20.49	137	675	10.1	13.7	0.96	
	24.36	115	810	10.2	13.8	0.96	
31.75	88	675	6.5	8.8	0.96		
1400	9.98	140	800	12.2	16.6	0.96	
	12.89	109	800	9.5	12.9	0.96	
	15.47	90	950	9.4	12.8	0.96	
	15.72	89	800	7.8	10.6	0.96	
	19.98	70	900	6.9	9.4	0.96	
	20.49	68	750	5.6	7.6	0.96	
	24.36	57	900	5.6	7.7	0.96	
31.75	44	750	3.6	4.9	0.96		
900	9.98	90	880	8.7	11.8	0.96	
	12.89	70	880	6.7	9.1	0.96	
	15.47	58	1045	6.6	9.0	0.96	
	15.72	57	880	5.5	7.5	0.96	
	19.98	45	990	4.9	6.6	0.96	
	20.49	44	825	4.0	5.4	0.96	
	24.36	37	990	4.0	5.4	0.96	
31.75	28	825	2.6	3.5	0.96		

	n_1	i	n_2	M_2 (Nm)	kW_1	HP_1	RD	f_s	P.A.M.
2800	9.98	281	359	11	15	0.96	2.01	38/300 - 28/250	
	12.89	217	464	11	15	0.96	1.55	38/300 - 28/250	
	15.47	178	557	11	15	0.96	1.54	38/300 - 28/250	
	15.72	137	566	11	15	0.96	1.27	38/300 - 28/250	
	19.98	181	720	11	15	0.96	1.13	38/300 - 28/250	
	20.49	140	604	9	12.5	0.96	1.12	38/300 - 28/250	
	24.36	115	718	9	12.5	0.96	1.13	38/300 - 28/250	
31.75	88	672	5.5	7.5	0.96	1.18	38/300 - 28/250		
1400	9.98	140	719	11	15	0.96	1.11	38/300 - 28/250	
	12.89	109	777	9.2	12.5	0.96	1.03	38/300 - 28/250	
	15.47	90	932	9.2	12.5	0.96	1.02	38/300 - 28/250	
	15.72	89	772	7.5	10	0.96	1.04	38/300 - 28/250	
	19.98	70	720	5.5	7.5	0.96	1.25	38/300 - 28/250	
	20.49	68	738	5.5	7.5	0.96	1.02	38/300 - 28/250	
	24.36	57	877	5.5	7.5	0.96	1.03	38/300 - 28/250	
31.75	44	624	3	4	0.96	1.20	38/300 - 28/250		
900	9.98	90	559	5.5	7.5	0.96	1.57	38/300 - 28/250	
	12.89	70	722	5.5	7.5	0.96	1.22	38/300 - 28/250	
	15.47	58	867	5.5	7.5	0.96	1.21	38/300 - 28/250	
	15.72	57	881	5.5	7.5	0.96	1.00	38/300 - 28/250	
	19.98	45	814	4	5.5	0.96	1.22	38/300 - 28/250	
	20.49	44	835	4	5.5	0.96	0.99	38/300 - 28/250	
	24.36	37	993	4	5.5	0.96	1.00	38/300 - 28/250	
31.75	28	712	2.2	3	0.96	1.16	38/300 - 28/250		

DIMENSIONI D'INGOMBRO

OVERALL DIMENSIONS

ALLGEMEINE ABMESSUNGEN



PL 100

MPL 100

P_5^* : Vedere i PAM per ogni singola versione
 P_5^* : See PAM size for each single version
 P_5^* : Siehe PAM Grösse für jede Ausführung

CARICHI RADIALI (N)

OVERHUNG LOADS (N)

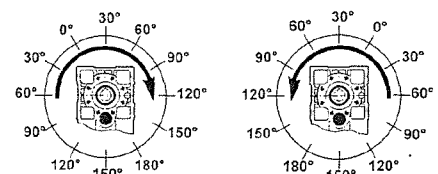
RADIALE BELASTUNGEN (N)

ALBERO VELOCE / INPUT SHAFT / EINGANGSWELLE		
	PL 100	PL 100/3
1400 min ⁻¹	1400	1000

ALBERO LENTO / OUTPUT SHAFT / ABTRIEBSWELLE							
PL 100 - PL 100/3							
min ⁻¹	0°	30°	60°	90°	120°	150°	180°
20	13186	13632	14793	16577	18625	20227	20859
40	9972	10422	11491	13274	15327	17017	17646
60	8467	8822	9893	11674	13725	15415	16128
80	7397	7754	8822	10606	12657	14438	15060
100	6684	7041	8019	9795	11848	13607	14347
120	6147	6417	7485	9180	11319	13100	13813
140	5704	5954	6945	8518	10502	12155	12817
160	5346	5580	6509	7984	9844	11393	12013

Rotazione oraria
 Clockwise
 rotation
 Uhrzeigersinn

Rotazione antioraria
 Anticlockwise
 rotation
 Gegenuhrzeigersinn



PL 100/3

PRESTAZIONI

n_1	i	n_2	M_2 (Nm)	kW_1	HP_1	RD
2800	21.40	131	810	12.1	16.4	0.92
	25.68	109	900	11.2	15.2	0.92
	33.16	84	882	8.5	11.5	0.92
	37.74	74	918	7.8	10.5	0.92
	40.44	69	882	7.0	9.5	0.92
	48.74	57	900	5.9	8.0	0.92
	52.70	53	720	4.4	5.9	0.92
	59.44	47	900	4.8	6.6	0.92
	72.91	38	918	4.0	5.5	0.92
	77.47	36	720	3.0	4.0	0.92
88.91	31	918	3.3	4.5	0.92	
115.88	24	720	2.0	2.7	0.92	

1400	21.40	65	900	6.7	9.1	0.92
	25.68	55	1000	6.2	8.4	0.92
	33.16	42	980	4.7	6.4	0.92
	37.74	37	1020	4.3	5.9	0.92
	40.44	35	980	3.9	5.3	0.92
	48.74	29	1000	3.3	4.4	0.92
	52.70	27	800	2.4	3.3	0.92
	59.44	24	1000	2.7	3.6	0.92
	72.91	19	1020	2.2	3.0	0.92
	77.47	18	800	1.6	2.2	0.92
88.91	16	1020	1.8	2.5	0.92	
115.88	12	800	1.1	1.5	0.92	

900	21.40	42	990	4.7	6.4	0.92
	25.68	35	1100	4.4	6.0	0.92
	33.16	27	1078	3.3	4.5	0.92
	37.74	24	1122	3.0	4.1	0.92
	40.44	22	1078	2.7	3.7	0.92
	48.74	18	1100	2.3	3.1	0.92
	52.70	17	880	1.7	2.3	0.92
	59.44	15	1100	1.9	2.6	0.92
	72.91	12	1122	1.6	2.1	0.92
	77.47	12	880	1.2	1.6	0.92
88.91	10	1122	1.3	1.8	0.92	
115.88	8	880	0.8	1.1	0.92	

PERFORMANCES

LEISTUNG

MPL 100/3

n_1	i	n_2	M_2 (Nm)	kW_1	HP_1	RD	fs	P.A.M.
2800	21.40	131	369	5.5	7.5	0.92	2.19	28/250 - 24/200
	25.68	109	443	5.5	7.5	0.92	2.03	28/250 - 24/200
	33.16	84	572	5.5	7.5	0.92	1.54	28/250 - 24/200
	37.74	74	261	2.2	3	0.92	3.52	24/200 - 19/200
	40.44	69	698	5.5	7.5	0.92	1.26	28/250 - 24/200
	48.74	57	336	2.2	3	0.92	2.67	24/200 - 19/200
	52.70	53	661	4	5.5	0.92	1.09	28/250 - 24/200
	59.44	47	410	2.2	3	0.92	2.19	24/200 - 19/200
	72.91	38	343	1.5	2	0.92	2.68	14/160
	77.47	36	535	2.2	3	0.92	1.35	24/200 - 19/200
88.91	31	418	1.5	2	0.92	2.19	14/160	
115.88	24	545	1.5	2	0.92	1.32	14/160	

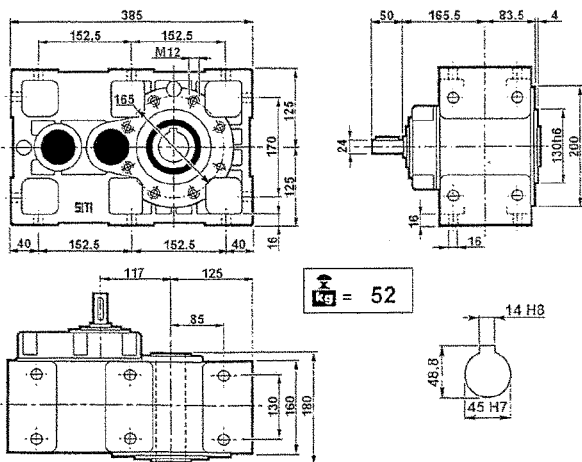
1400	21.40	65	537	4	5.5	0.92	1.68	28/250 - 24/200
	25.68	55	645	4	5.5	0.92	1.55	28/250 - 24/200
	33.16	42	832	4	5.5	0.92	1.18	28/250 - 24/200
	37.74	37	426	1.8	2.5	0.92	2.39	24/200 - 19/200
	40.44	35	1015	4	5.5	0.92	0.97	28/250 - 24/200
	48.74	29	551	1.8	2.5	0.92	1.82	24/200 - 19/200
	52.70	27	728	2.2	3	0.92	1.10	28/250 - 24/200
	59.44	24	671	1.8	2.5	0.92	1.49	24/200 - 19/200
	72.91	19	343	0.75	1	0.92	2.97	14/160
	77.47	18	729	1.5	2	0.92	1.10	24/200 - 19/200
88.91	16	418	0.75	1	0.92	2.44	14/160	
115.88	12	545	0.75	1	0.92	1.47	14/160	

900	21.40	42	460	2.2	3	0.92	2.15	28/250 - 24/200
	25.68	35	552	2.2	3	0.92	1.99	28/250 - 24/200
	33.16	27	712	2.2	3	0.92	1.51	28/250 - 24/200
	37.74	24	405	1.1	1.5	0.92	2.77	24/200 - 19/200
	40.44	22	869	2.2	3	0.92	1.24	28/250 - 24/200
	48.74	18	523	1.1	1.5	0.92	2.10	24/200 - 19/200
	52.70	17	926	1.8	2.5	0.92	0.95	28/250 - 24/200
	59.44	15	638	1.1	1.5	0.92	1.72	24/200 - 19/200
	72.91	12	391	0.55	0.75	0.92	2.87	14/160
	77.47	12	832	1.1	1.5	0.92	1.06	24/200 - 19/200
88.91	10	477	0.55	0.75	0.92	2.35	14/160	
115.88	8	622	0.55	0.75	0.92	1.41	14/160	

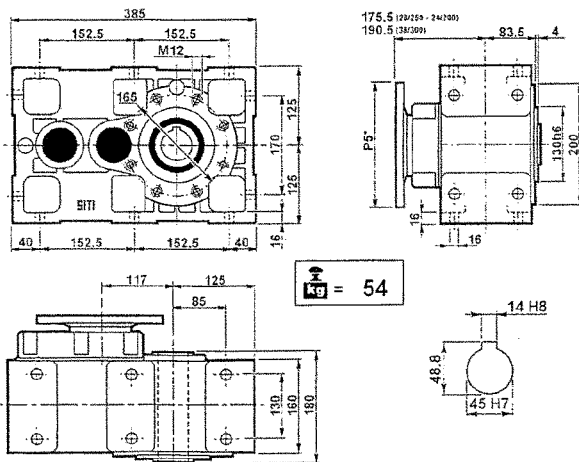
DIMENSIONI D'INGOMBRO

OVERALL DIMENSIONS

ALLGEMEINE ABMESSUNGEN



PL 100/3



MPL 100/3

P_5^* : Vedere i PAM per ogni singola versione
 P_5^* : See PAM size for each single version
 P_5^* : Siehe PAM Grösse für jede Ausführung